

**General Characteristics 8800 Series Institutional Wall  
Convactor**

Single phase heaters available in all common voltages from 120V to 600V.

11 gauge perforated steel housing powder coated with textured ivory finish.

Tamper proof left side control panel houses built-in single pole thermostat - range 40°F-110°F and disconnect switch. Thermostat on 120V-277V units is line voltage and low voltage (24V) on 346V-600V units.

Linear limit type thermal overload with automatic reset.

Tamper proof fasteners.

Stainless steel element with Aluminum fins.

Made in U.S.A.

Note: Not for residential applications.

Institutional enclosure 11 gauge perforated steel with sloped top design. Heavy duty end caps welded to the enclosure.

Control compartment for housing thermostat and disconnect switch is accessible by use of security type fastener. The entire enclosure is protected by epoxy powder coated paint finish.

All steel high mass element construction with Nickel-Chromium resistance wire embedded in compacted efficient dielectric to ensure proper heat transfer. Aluminum fins mechanically bonded to steel tube allows for increased surface area and even heat transfer.

Automatic reset hydraulic thermal overload covers full length of heating element and shuts down heater when safe operating temperatures are exceeded.

Wiring connections shall be made in left end of cabinet enclosure. Wiring must enter into control enclosure behind perforated steel grill.

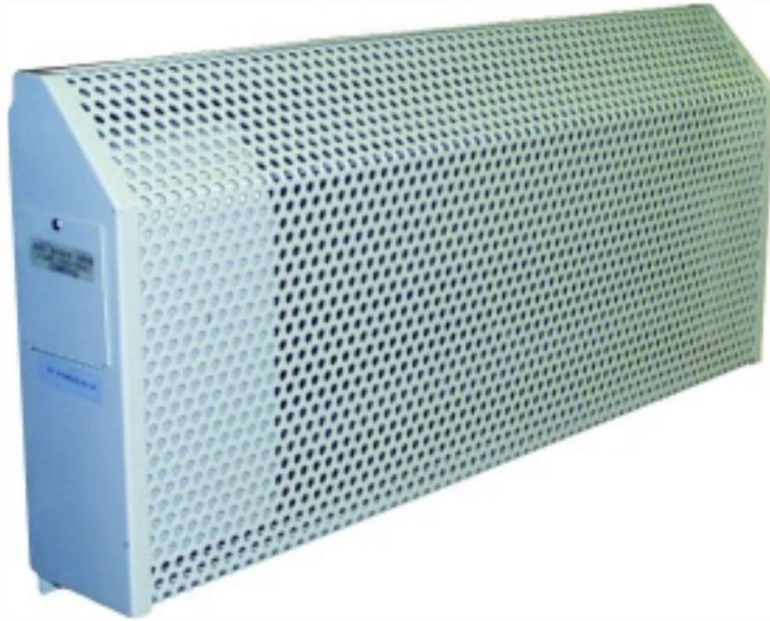
All controls are accessible only through control enclosure door. Security type fasteners restrict access to controls. Built in thermostat and disconnect switch with manual adjustment are located in control enclosure.

**Product Applications 8800 Series Institutional Wall  
Convactor**

Recommended for all industrial, commercial, and residential. For indoor and outdoor use.

**Warranties 8800 Series Institutional Wall Convactor**

Manufacturer's Limited Warranty: 1 Year.





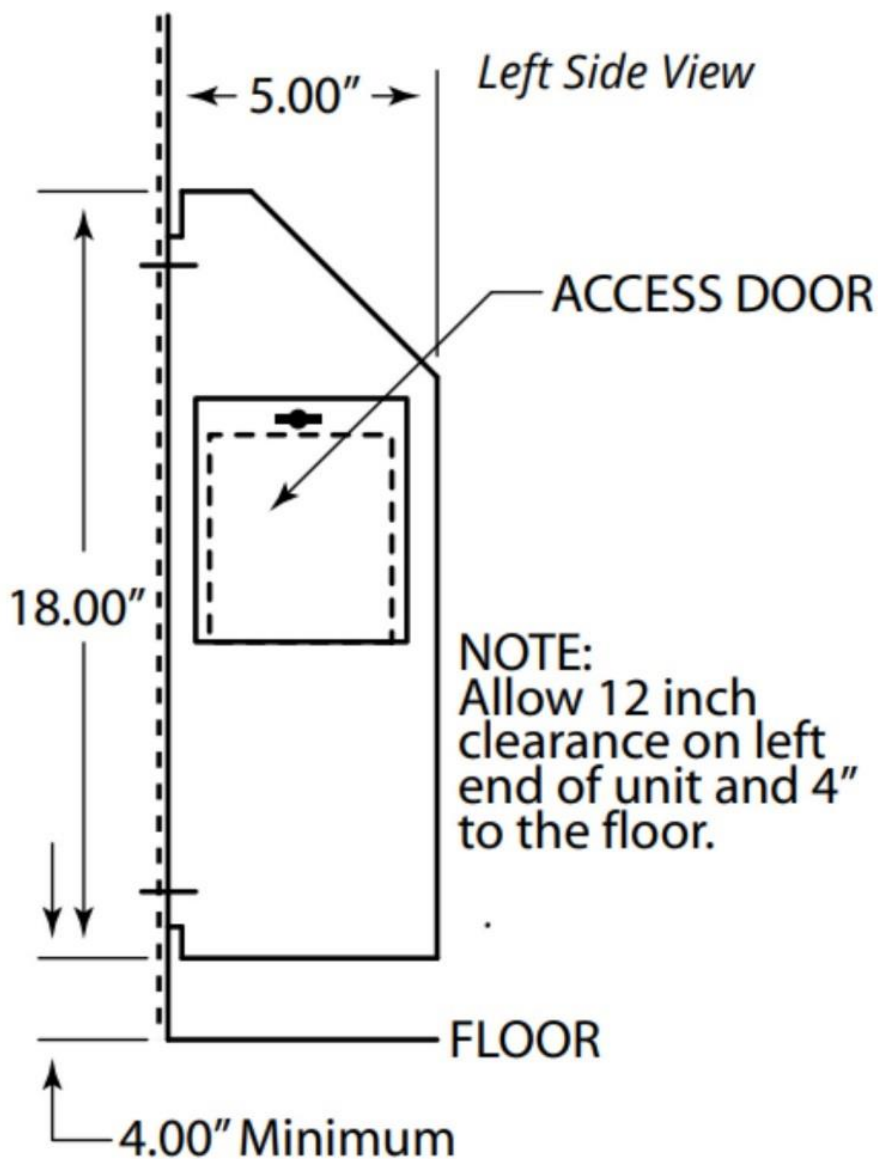
# 8800 Series Institutional Wall Convector

## Data Sheet

Specific Characteristics 8800 Series Institutional Wall Convector							
Item #	Watts	BTU's	Volts	Amps	Length IN	Weight and Dimensions with Packaging (CM)	
						Lbs	W, H, D
USAFM-001	500	1706	120	4.167	18	50	18,18,5
USAFM-002	500	1706	208	2.404	18	50	18,18,5
USAFM-003	500	1706	240	2.083	18	50	18,18,5
USAFM-004	500	1706	277	1.805	18	50	18,18,5
USAFM-005	500	1706	346	1.445	18	50	18,18,5
USAFM-006	500	1706	480	1.042	18	50	18,18,5
USAFM-007	500	1706	600	0.833	18	50	18,18,5
USAFM-008	750	2560	120	6.25	28	50	18,18,5
USAFM-009	750	2560	208	3.606	28	50	18,18,5
USAFM-010	750	2560	240	3.125	28	50	18,18,5
USAFM-011	750	2560	277	2.708	28	50	18,18,5
USAFM-012	750	2560	346	2.168	28	50	18,18,5
USAFM-013	750	2560	480	1.563	28	50	18,18,5
USAFM-014	750	2560	600	1.25	28	50	18,18,5
USAFM-015	1000	3413	120	8.333	36	50	18,18,5
USAFM-016	1000	3413	208	4.808	36	50	18,18,5
USAFM-017	1000	3413	240	4.167	36	50	18,18,5
USAFM-018	1000	3413	277	3.610	36	50	18,18,5
USAFM-019	1000	3413	346	2.890	36	50	18,18,5
USAFM-020	1000	3413	480	2.083	36	50	18,18,5
USAFM-021	1000	3413	600	1.667	36	50	18,18,5
USAFM-022	1250	4266	120	10.417	48	50	18,18,5
USAFM-023	1250	4266	208	6.010	48	50	18,18,5
USAFM-024	1250	4266	240	5.208	48	50	18,18,5
USAFM-025	1250	4266	277	4.513	48	50	18,18,5
USAFM-026	1250	4266	346	3.613	48	50	18,18,5
USAFM-027	1250	4266	480	2.604	48	50	18,18,5
USAFM-028	1250	4266	600	2.083	48	50	18,18,5
USAFM-029	1500	5120	120	12.5	60	50	18,18,5
USAFM-030	1500	5120	208	7.212	60	50	18,18,5
USAFM-031	1500	5120	240	6.25	60	50	18,18,5
USAFM-032	1500	5120	277	5.415	60	50	18,18,5
USAFM-033	1500	5120	346	4.335	60	50	18,18,5
USAFM-034	1500	5120	480	3.125	60	50	18,18,5
USAFM-035	1500	5120	600	2.5	60	50	18,18,5
USAFM-036	2000	6826	120	16.667	72	50	18,18,5
USAFM-037	2000	6826	208	9.615	72	50	18,18,5
USAFM-038	2000	6826	240	8.333	72	50	18,18,5
USAFM-039	2000	6826	277	7.220	72	50	18,18,5
USAFM-040	2000	6826	346	5.780	72	50	18,18,5
USAFM-041	2000	6826	480	4.167	72	50	18,18,5
USAFM-042	2000	6826	600	3.333	72	50	18,18,5



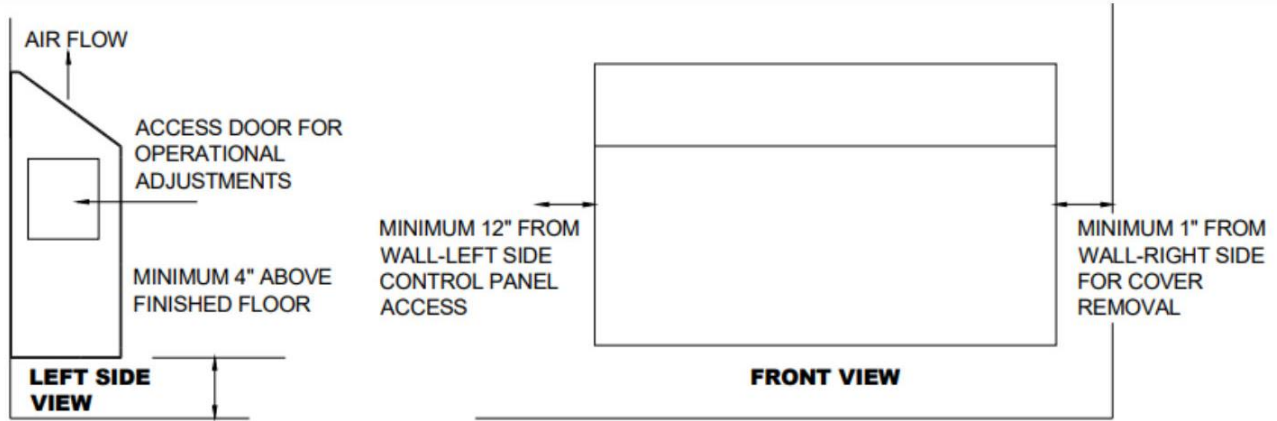
Dimensions (in) 8800 Series Institutional Wall Convector			
Item #	A	B	C
USAFM-001 a USAFM-042	18	18	5



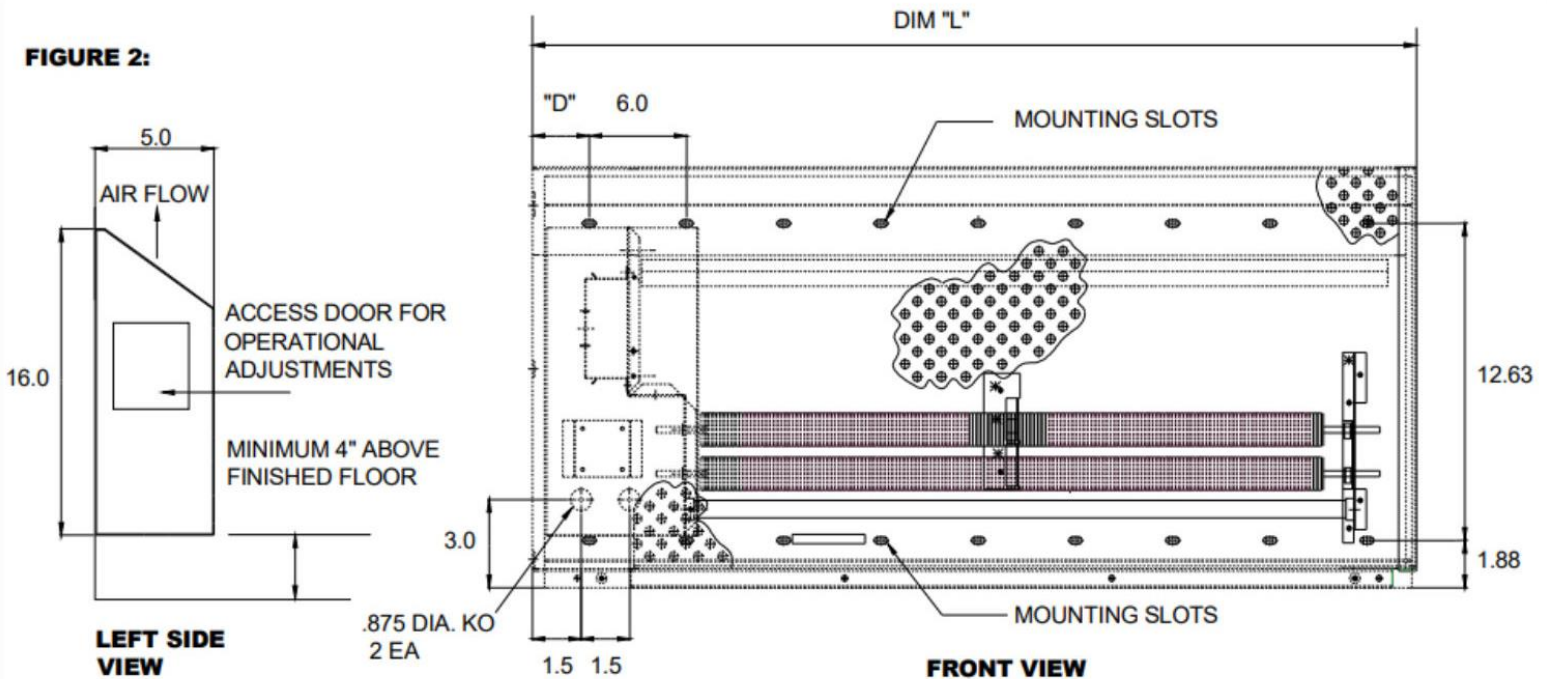


# 8800 Series Institutional Wall Convector

## Data Sheet



**FIGURE 2:**



ID	Author	Description Error	Description Update	Supervisor Name
V1	Angelica Romero	New Data Sheet	New Data Sheet	Jessica Lorenzo